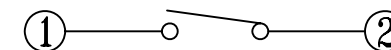
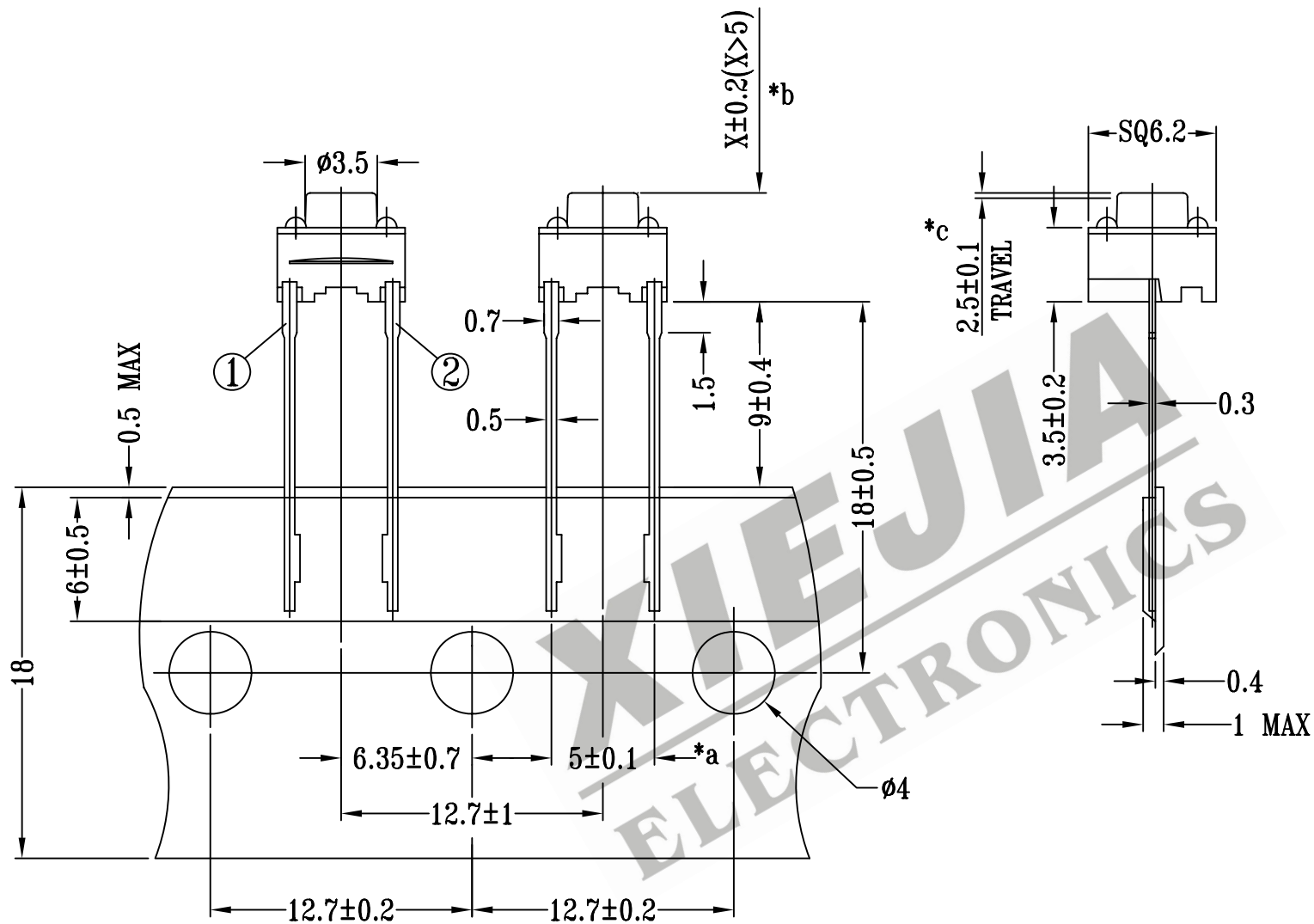
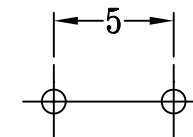


CAD FILE:



CIRCUIT DIAGRAM



P.C.B LAYOUT

TC-0309	12.5
TC-0308	9.5
TC-0306	8.0
TC-0305	7.3
TC-0304	7.0
TC-0303	5.0
TC-0302	4.3
FOR MODEL	X

OPERATING FORCE	CODE
100gf	T
130gf	V
160gf	X
170gf	W
190gf	Y
250gf	Z

注:带"\*"表示关键尺寸(3个)

NO.	PARTS	MATERIALS	Q'TY	FINISH	TOLERANCE UNLESS SPECIFIED	SHENZHEN XIEJIA ELECTRONICS CO.,LTD.					
8						SHENZHEN XIEJIA ELECTRONICS CO.,LTD.					
7											
6	ADHESIVE TAPE	6X0.15mmADHESIVE TAPE	1	NATURAL	WITHIN: 1.5±0.1mm	ISSUE	DATE	DESCRIPTIONS OF REVISION		APPD.	
5	PAPER TAPE	18X0.4mm PAPER	1	NATURAL	OVER : 1.5±0.2mm						
4	CASE	NYLON	1	BLACK	TITLE : TACT SWITCH		UNIT : mm	DRWG NO.: XJ-DR-TC0302-00			
3	CONTACT	PBS	1	Ag CLAD	MODEL: TC-0302~0309		SCALE: 3:1	DWN.	ZHOUYU	2002-5-10	
2	COVER	ZINC PLATE	1	WASHING	ALL MATERIALS MUST BE COMPLIANT TO ROHS				CHK'D	FANGYING	2002-5-10
1	KNOB	NYLON	1	BLACK					APPD.	KANGXINAN	2002-5-10